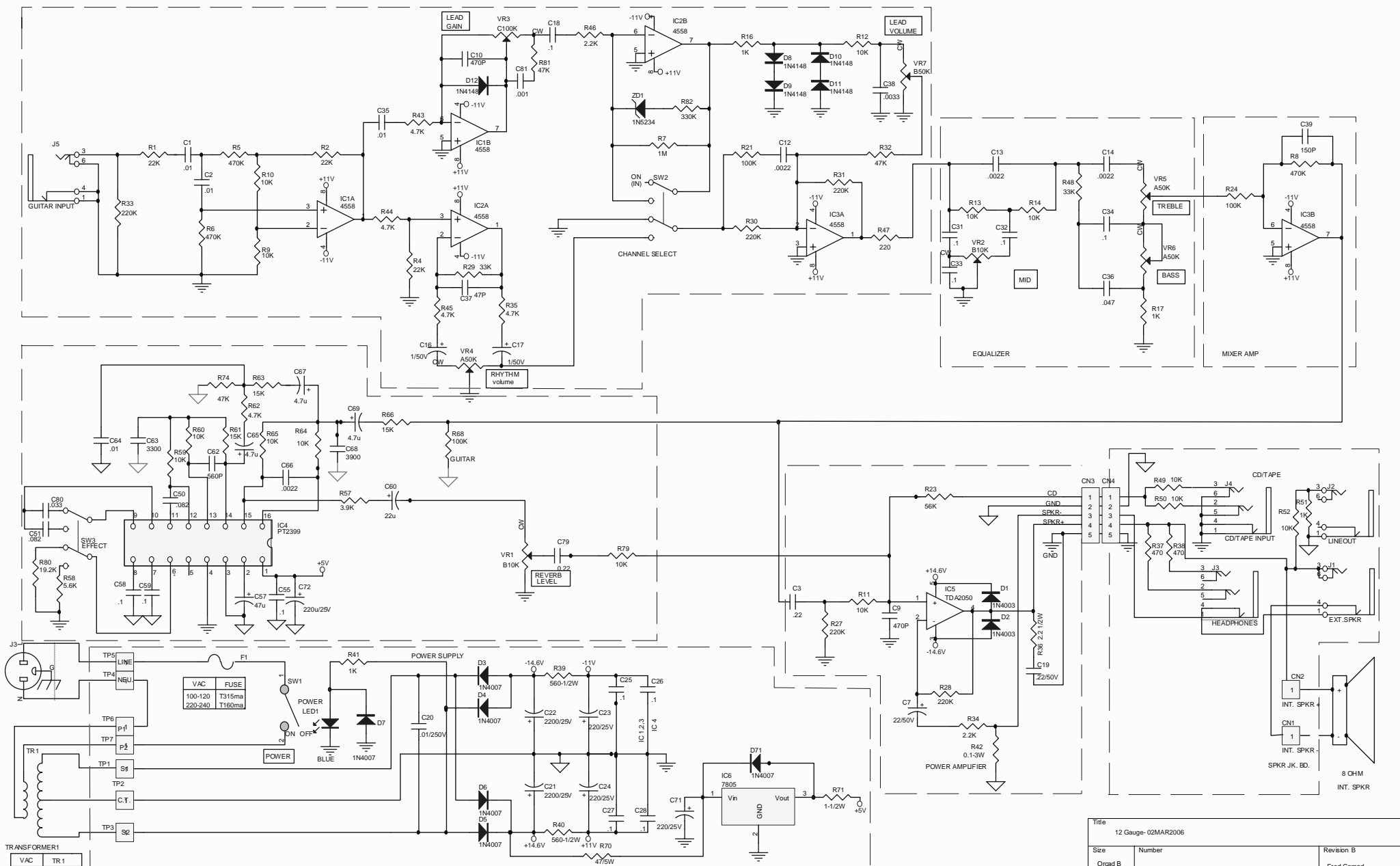


08-MAY-2006
Kustom Music

12 GAUGEJ Amplifier

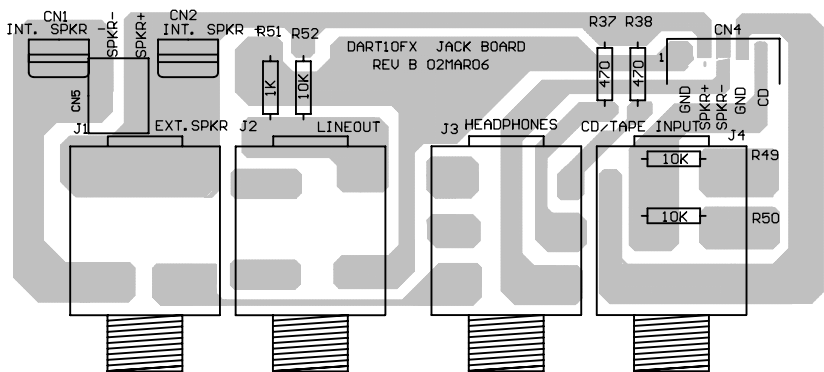
Schematic, PCB layouts, Bill of
materials



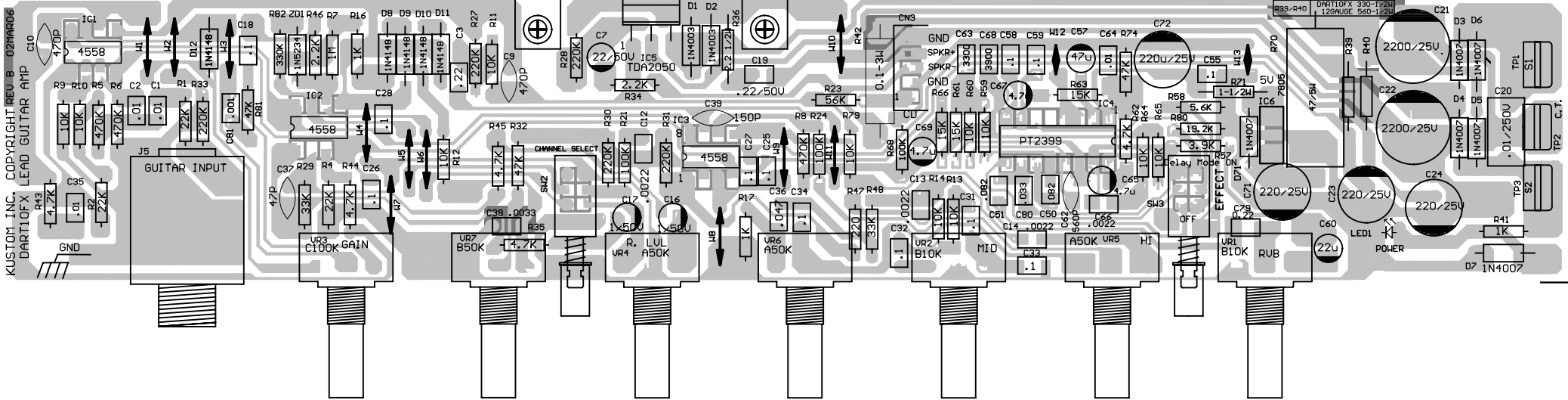
TRANSFORMER1

VAC	TR 1
100-120	5600-0312
220-240	5600-0313

Title 12 Gauge-02MAR2006		Revision B
Size Orcad B	Number	Fred Conrad
Date: 3/8/2007	Sheet of 2	
File: C:\Documents and Settings\112 Gauge Rev B\02MAR06\SCHDOC		



CHANGED



Designator	Comment	Description	Footprint
C1	.01	CAPACITOR	CAP(MET)5mm
C2	.01	CAPACITOR	CAP(MET)5mm
C3	.22	CAPACITOR	CAP(MET)5mm
C7	22/50V	POLARIZED CAPACITOR	CAP(ELECT)4MM
C9	470P	CAPACITOR	CAP(CER)5MM
C10	470P	CAPACITOR	CAP(CER)5MM
C12	.0022	CAPACITOR	CAP(MET)5mm
C13	.0022	CAPACITOR	CAP(MET)5mm
C14	.0022	CAPACITOR	CAP(MET)5mm
C16	1/50V	POLARIZED CAPACITOR	CAP(ELECT)5mm
C17	1/50V	POLARIZED CAPACITOR	CAP(ELECT)5mm
C18	.1	CAPACITOR	CAP(MET)5mm
C19	.22/50V	CAPACITOR	CAP(MET)5mm
C20	.01/250V	CAPACITOR	CAP(MET)12mm
C21	2200/25V	POLARIZED CAPACITOR	CAP(ELECT)13mm
C22	2200/25V	POLARIZED CAPACITOR	CAP(ELECT)13mm
C23	220/25V	POLARIZED CAPACITOR	CAP(ELECT)10mm
C24	220/25V	POLARIZED CAPACITOR	CAP(ELECT)10mm
C25	.1	CAPACITOR	CAP(MET)5mm
C26	.1	CAPACITOR	CAP(MET)5mm
C27	.1	CAPACITOR	CAP(MET)5mm
C28	.1	CAPACITOR	CAP(MET)5mm
C31	.1	CAPACITOR	CAP(MET)5mm
C32	.1	CAPACITOR	CAP(MET)5mm
C33	.1	CAPACITOR	CAP(MET)5mm
C34	.1	CAPACITOR	CAP(MET)5mm
C35	.01	CAPACITOR	CAP(MET)5mm
C36	.047	CAPACITOR	CAP(MET)5mm
C37	47P	CAPACITOR	CAP(CER)5MM
C38	.0033	CAPACITOR	CAP(MET)5mm
C39	150P	CAPACITOR	CAP(CER)5MM
C50	.082	CAPACITOR	CAP(CER)6mm
C51	.082	CAPACITOR	CAP(CER)6mm
C55	.1	CAPACITOR	CAP(MET)5mm
C57	47u	POLARIZED CAPACITOR	CAP(ELECT)5mm
C58	.1	CAPACITOR	CAP(MET)5mm
C59	.1	CAPACITOR	CAP(MET)5mm
C60	22u	POLARIZED CAPACITOR	CAP(ELECT)5mm
C62	560P	CAPACITOR	CAP(CER)5MM
C63	3300	CAPACITOR	CAP(CER)6mm
C64	.01	CAPACITOR	CAP(MET)5mm
C65	4.7u	POLARIZED CAPACITOR	CAP(ELECT)5mm
C66	.0022	CAPACITOR	CAP(CER)6mm
C67	4.7u	POLARIZED CAPACITOR	CAP(ELECT)5mm
C68	3900	CAPACITOR	CAP(CER)6mm
C69	4.7u	POLARIZED CAPACITOR	CAP(ELECT)5mm
C71	220/25V	POLARIZED CAPACITOR	CAP(ELECT)10mm
C72	220u/25V	POLARIZED CAPACITOR	CAP(ELECT)10mm
C79	0.22	CAPACITOR	CAP(MET)5mm
C80	.033	CAPACITOR	CAP(CER)6mm
C81	.001	CAPACITOR	CAP(MET)5mm

CN1	INT. SPKR -		QUICK DISCON
CN2	INT. SPKR +		QUICK DISCON
CN3		Connector	CP5
CN4		Connector	CP5
D1	1N4003	500mA DIODE	DIODE(10mm)
D2	1N4003	500mA DIODE	DIODE(10mm)
D3	1N4007	500mA DIODE	DIODE(10mm)
D4	1N4007	500mA DIODE	DIODE(10mm)
D5	1N4007	500mA DIODE	DIODE(10mm)
D6	1N4007	500mA DIODE	DIODE(10mm)
D7	1N4007	500mA DIODE	DIODE(10mm)
D8	1N4148	500mA DIODE	DIODE(10mm)
D9	1N4148	500mA DIODE	DIODE(10mm)
D10	1N4148	500mA DIODE	DIODE(10mm)
D11	1N4148	500mA DIODE	DIODE(10mm)
D12	1N4148	500mA DIODE	DIODE(10mm)
D71	1N4007	500mA DIODE	DIODE(10mm)
F1			FUSEHOLDER5mm
IC1	4558		DIP8
IC2	4558		DIP8
IC3	4558		DIP8
IC4	PT2399		DIP16
IC5	TDA2050	20W POWER IC	TDA2040
IC6	7805		7805
J1	EXT.SPKR	VERTICAL T-TS-S-SS	PHONEJACK(RT
J2	LINEOUT	VERTICAL T-TS-S-SS	PHONEJACK(RT
J3	HEADPHONES	PHONEJACK(TRS)	PHONEJACK(RT
J4	CD/TAPE INPUT	PHONEJACK(TRS)	PHONEJACK(RT
J5	GUITAR INPUT	VERTICAL T-TS-S-SS	PHONEJACK(RT
LED1	POWER	3mm LED	LED
R1	22K	RESISTOR	RESISTOR(1/4W)
R2	22K	RESISTOR	RESISTOR(1/4W)
R4	22K	RESISTOR	RESISTOR(1/4W)
R5	470K	RESISTOR	RESISTOR(1/4W)
R6	470K	RESISTOR	RESISTOR(1/4W)
R7	1M	RESISTOR	RESISTOR(1/4W)
R8	470K	RESISTOR	RESISTOR(1/4W)
R9	10K	RESISTOR	RESISTOR(1/4W)
R10	10K	RESISTOR	RESISTOR(1/4W)
R11	10K	RESISTOR	RESISTOR(1/4W)
R12	10K	RESISTOR	RESISTOR(1/4W)
R13	10K	RESISTOR	RESISTOR(1/4W)
R14	10K	RESISTOR	RESISTOR(1/4W)
R16	1K	RESISTOR	RESISTOR(1/4W)
R17	1K	RESISTOR	RESISTOR(1/4W)
R21	100K	RESISTOR	RESISTOR(1/4W)
R23	56K	RESISTOR	RESISTOR(1/4W)
R24	100K	RESISTOR	RESISTOR(1/4W)
R27	220K	RESISTOR	RESISTOR(1/4W)
R28	220K	RESISTOR	RESISTOR(1/4W)
R29	33K	RESISTOR	RESISTOR(1/4W)
R30	220K	RESISTOR	RESISTOR(1/4W)

R31	220K	RESISTOR	RESISTOR(1/4W)
R32	47K	RESISTOR	RESISTOR(1/4W)
R33	220K	RESISTOR	RESISTOR(1/4W)
R34	2.2K	RESISTOR	RESISTOR(1/4W)
R35	4.7K	RESISTOR	RESISTOR(1/4W)
R36	2.2 1/2W	RESISTOR	RESISTOR(1/2W)
R37	470	RESISTOR	RESISTOR(1/4W)
R38	470	RESISTOR	RESISTOR(1/4W)
R39	560-1/2W	RESISTOR	RESISTOR(1/2W)
R40	560-1/2W	RESISTOR	RESISTOR(1/2W)
R41	1K	RESISTOR	RESISTOR(1/4W)
R42	0.1-3W	RESISTOR	RESISTOR(3W)
R43	4.7K	RESISTOR	RESISTOR(1/4W)
R44	4.7K	RESISTOR	RESISTOR(1/4W)
R45	4.7K	RESISTOR	RESISTOR(1/4W)
R46	2.2K	RESISTOR	RESISTOR(1/4W)
R47	220	RESISTOR	RESISTOR(1/4W)
R48	33K	RESISTOR	RESISTOR(1/4W)
R49	10K	RESISTOR	RESISTOR(1/4W)
R50	10K	RESISTOR	RESISTOR(1/4W)
R51	1K	RESISTOR	RESISTOR(1/4W)
R52	10K	RESISTOR	RESISTOR(1/4W)
R57	3.9K	RESISTOR	RESISTOR(1/4W)
R58	5.6K	RESISTOR	RESISTOR(1/4W)
R59	10K	RESISTOR	RESISTOR(1/4W)
R60	10K	RESISTOR	RESISTOR(1/4W)
R61	15K	RESISTOR	RESISTOR(1/4W)
R62	4.7K	RESISTOR	RESISTOR(1/4W)
R63	15K	RESISTOR	RESISTOR(1/4W)
R64	10K	RESISTOR	RESISTOR(1/4W)
R65	10K	RESISTOR	RESISTOR(1/4W)
R66	15K	RESISTOR	RESISTOR(1/4W)
R68	100K	RESISTOR	RESISTOR(1/4W)
R70	47/5W	RESISTOR	RESISTOR(10W)
R71	1-1/2W	RESISTOR	RESISTOR(1/2W)
R74	47K	RESISTOR	RESISTOR(1/4W)
R79	10K	RESISTOR	RESISTOR(1/4W)
R80	19.2K	RESISTOR	RESISTOR(1/4W)
R81	47K	RESISTOR	RESISTOR(1/4W)
R82	330K	RESISTOR	RESISTOR(1/4W)
SW1	POWER		
SW2	CHANNEL SELECT		SWITCH2
SW3	EFFECT		SWITCH2
TP1	S1		QUICK DISCON
TP2	C.T.		QUICK DISCON
TP3	S2		QUICK DISCON
TP4	NEU.		
TP5	LINE		
TP6	P1		
TP7	P2		
TR1	TRANSFORMER1	TRANSFORMER2	
VR1	B10K	VERTICAL POTENTIOMETER	POT9mmVRT

VR2	B10K	VERTICAL POTENTIOMETER	POT9mmVRT
VR3	C100K	VERTICAL POTENTIOMETER	POT9mmVRT
VR4	A50K	VERTICAL POTENTIOMETER	POT9mmVRT
VR5	A50K	VERTICAL POTENTIOMETER	POT9mmVRT
VR6	A50K	VERTICAL POTENTIOMETER	POT9mmVRT
VR7	B50K	VERTICAL POTENTIOMETER	POT9mmVRT
ZD1	1N5234		DIODE(10mm)